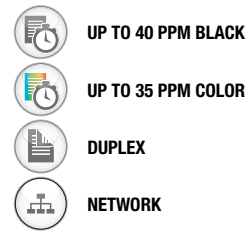


Lexmark XL Series



Lexmark C782n XL Lexmark C782dn XL Lexmark C782dtn XL Lexmark X782e XL

Communicate volumes in color – for less!



LEXMARKTM

Enhance Your Business with Color.

Color is one of the most powerful communication tools at your disposal. Pages with color are recognized at a 60 percent higher rate than those without. Color strengthens brand identification up to 70 percent and improves recall up to 60 percent. Color even simplifies complex information, reducing search time as much as 80 percent. Today it is easier and more affordable than ever to create high impact, professional color documents in-house and on-demand with an innovative color print solution from Lexmark.

Data cited from "Color for Impact: How Color Can Get Your Message Across or Get in the Way" by Jan V. White

Color. It's what your business craves. But if you print a lot in color, the cost of supplies can be hard to swallow. Lexmark has a solution that lets high-volume workgroups print in color without worrying about the cost of consumables. The Lexmark C782 XL family of color laser printers and the multifunction Lexmark X782e XL combine the power of color with unique cartridge pricing to help you save money and time by printing professional color documents in-house.



Speed and innovation unite

The Lexmark C782 XL family and X782e XL are robust, reliable and incredibly fast. You get the performance and innovations you need to produce brilliant color output in-house, reducing the need for outsourcing.

- Up to 35 ppm in color, 40 ppm in black, first color page out as fast as 13 seconds
- 800MHz processor with 256MB of RAM standard, expandable to 768MB
- Ultra-reliable paper feeding supports diverse media, including card stock, labels, UV-resistant outdoor media, banner paper and more
- State-of-the-art security to protect your data and devices, including numeric pad for secure PIN release of print jobs



Raise-the-bar with color

The Lexmark C782 XL family and X782e XL deliver crisp text and graphics and accurate, well-balanced images from first page to last. Like all Lexmark color lasers, they feature Lexmark's new chemically processed toners for exceptional color and detail.

- True 1200 x 1200 dpi resolution and 4800 Image Quality print mode
- Consistent color balance with Pantone calibration
- Lexmark ColorCare tools to drive additional toner savings
- Front-loading toner cartridges take just seconds to replace



Plentiful options

A wide variety of accessories and paper handling options let you tailor these devices to meet your unique requirements. For example, you can add a scanner unit to Lexmark C782 XL models, or you can add paper handling options to the Lexmark X782e XL by placing the scanner unit on an adjacent surface, such as a counter or tabletop.

- Maximize input capacity with extra drawers or high-capacity feeder
- Print banners up to 48 inches wide with the banner media tray (also available as an option on the X782e XL)
- Add a StapleSmart Finisher, envelope drawer, or outdoor media drawer
- Increase output flexibility with a 5-bin mailbox or 650-sheet output expander

Eco-responsible printing

Printing responsibly means everyone wins – your business, your budget and the environment! All of Lexmark's XL color lasers are designed with sustainability in mind. They're incredibly quiet and equipped with a range of eco-conscious features to help you print greener at every level.

- Models with built-in duplex reduce paper consumption
- Use fewer cartridges over the life of your printer with the 16,500*-page replacement toner cartridges
- Multifunction technology lets you move documents digitally, saving paper and transportation energy
- Lexmark Cartridge Collection Program offers fast, free and easy recycling



Lexmark XL Series

Original Lexmark XL High Yield Cartridges are all priced the same!

While color toner cartridges typically cost more than their black equivalents, all Original Lexmark XL High Yield Toner Cartridges – black, cyan, yellow and magenta – are offered at the same low price. In addition, these cartridges deliver an impressive 16,500* pages, so you can print longer and use fewer cartridges overall. While your actual cost per page will vary based on the amount of coverage (the percentage of the page covered by black and color toner), your color cost-per-page can drop to just pennies.

The savings add up fast when you print in-house with a Lexmark XL Series printer or MFP. You can print labels, promotional signs, marketing materials and banners on the same device you use for your everyday printing. You'll save time by maintaining centralized control; save money by printing short-run jobs more economically in-house; and save the planet by printing on demand, eliminating wasteful overruns and disposing of obsolete documents.

Coverage and Printing Cost Comparisons



Coverage

Cyan	26.92%
Magenta	32.39%
Yellow	40.15%
Black	0.04%

Printing Costs

C782n XL / X782e XL	\$0.24
Competitive Color Laser	\$0.53



Coverage

Cyan	6.90%
Magenta	4.24%
Yellow	4.24%
Black	2.38%

Printing Costs

C782n XL / X782e XL	\$0.04
Competitive Color Laser	\$0.09



Coverage

Cyan	15.67%
Magenta	18.79%
Yellow	29.71%
Black	0.08%

Printing Costs

C782n XL / X782e XL	\$0.16
Competitive Color Laser	\$0.34



Coverage

Cyan	3.24%
Magenta	3.40%
Yellow	2.91%
Black	2.39%

Printing Costs

C782n XL / X782e XL	\$0.03
Competitive Color Laser	\$0.06



Coverage

Cyan	13.87%
Magenta	16.07%
Yellow	19.05%
Black	3.63%

Printing Costs

C782n XL / X782e XL	\$0.13
Competitive Color Laser	\$0.27

Lexmark XL Series |

Get exactly the performance you need



Lexmark C782dn XL

Low-cost color output for high-volume, in-house printing

- Network ready, duplex standard
- Up to 35 ppm color, 40 ppm black
- Time to first page as fast as 11 seconds in black, 13 seconds in color
- True 1200 x 1200 dpi resolution or 4800 Color Quality (2400 x 600 dpi)
- 800MHz processor
- 256MB RAM standard, expandable to 768MB
- Front USB port for walk-up printing

Other Models Available:

C782n XL = network ready

C782dtn XL = network ready with built-in duplex and 1,100-sheet standard input capacity



Lexmark X782e XL

Color laser multifunction technology for low-cost color output

- Print, copy, scan and fax
- 768MB memory standard
- 8-inch e-Task color touch screen
- Duplex unit for automatic two-sided printing
- 50-sheet automatic document feeder scans both sides of your document in one pass
- Paper input capacity of up to 1,600 sheets
- Lexmark Embedded Solutions Framework

Explore the features that keep you moving



Long-lasting toner

16,500*-page Original Lexmark XL High Yield Toner Cartridges save money, time and the environment



Single-pass duplex scanner

Save time by scanning both sides of your document in one pass



Special delivery

Mailbox option lets you assign users their own output bins



Direct USB

Front USB port lets you print PDF and other image files directly from a memory device – no PC needed



Intuitively easy to use

Color e-Task touch screen offers simple one-touch operation



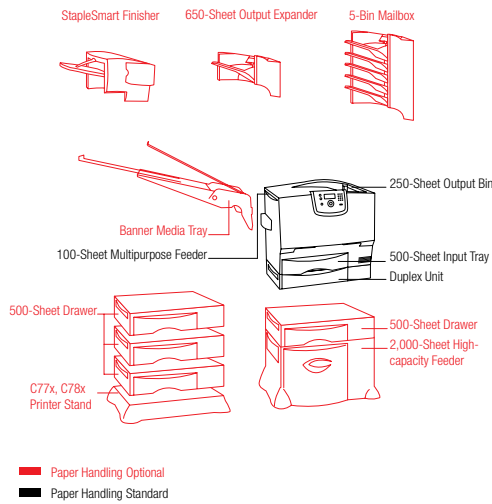
Secure PIN release

Use the numeric pad to release confidential jobs

	Lexmark C782dn XL	Lexmark X782e XL
Printing		
Print Technology	Color Laser	
Print Speed Black / Color: Up to	40 ppm / 35 ppm	
Time to First Page Black / Color: As fast as	11 seconds / 13 seconds	
Processor	800MHz	
Print Resolution	4800 Color Quality (2400 x 600 dpi), 1200 x 1200 dpi	
Memory, Standard / Maximum	256MB / 768MB	768MB / 768MB
Acoustics: Noise Level Operating / Idle	53 dBA / 30 dBA	50 dBA / 31 dBA
Maximum Month Duty Cycle: Up to	150,000 pages per month	
Recommended Monthly Page Volume	2,500 - 17,000	5,000 - 17,000
Supplies		
Supplies Yield	16,500*-page (CMYK) XL Extra High Yield Print Cartridges. Ships with 10,000*-page Black and Color (CMY) High Yield Return Program Print Cartridges. *Average continuous black or continuous composite CMY declared cartridge yield up to this number of standard pages in accordance with ISO/IEC 19798.	
Copying		
Copy Speed Black/Color: Up to	40 ppm / 35 ppm	
Time to First Copy Black	As fast as 14 seconds	
Scanning		
Scanning Resolution	600 x 600 dpi (black), 300 X 300 dpi (color)	
Reduce / Enlarge Range	25% to 400%	
Faxing		
Modem Speed	33.6 Kbps	
Paper Handling		
Paper Handling Standard	250-Sheet Output Bin, 500-Sheet Input Tray, Duplex Unit, 100-Sheet Multipurpose Feeder	250-Sheet Output Bin, 500-Sheet Input Tray, Duplex Unit, Two 500-Sheet Drawers, 100-Sheet Multipurpose Feeder
Paper Handling Optional ¹	5-Bin Mailbox, 650-Sheet Output Expander, StapleSmart Finisher, 500-Sheet Drawer, Envelope Drawer, Banner Media Tray, Outdoor Media Drawer, 2,000-Sheet High Capacity Feeder	
Paper Input Capacity Standard / Maximum	600 pages 20 lb or 75 gsm bond / 3,100 pages 20 lb or 75 gsm bond	1,600 pages 20 lb or 75 gsm bond / 3,100 pages ¹ 20 lb or 75 gsm
Paper Output Capacity Standard / Maximum ¹	250 pages 20 lb or 75 gsm bond / 900 pages 20 lb or 75 gsm bond	
Copy/Fax/Scan (ADF) Paper Input Capacity	Up to 50 pages 20 lb or 75 gsm bond	
Media Types Supported	Plain Paper, Glossy Paper, Card Stock, Labels, Envelopes, Transparencies, Outdoor Media, Banner Paper Refer to the Card Stock & Label Guide	
Media Sizes Supported	Legal, Letter, Statement, Executive, Universal, Folio, Banner (up to 8.27" x 48"), 10 Envelope, 7 3/4 Envelope, 9 Envelope, A4, A5, B5 Envelope, C5 Envelope, DL Envelope, JIS-B5	
Compatibility		
Network Protocol Support	TCP/IP IPv6, TCP/IP IPv4, IPX/SPX, AppleTalk™, LexLink (DLC)	
Printer Languages (Standard)	PCL 5c Emulation, PCL 6 Emulation, Personal Printer Data Stream (PPDS), PostScript 3 Emulation, PDF 1.5, xHTML, Direct Image	
Connectivity (standard)	Ethernet 10/100BaseTX (RJ-45), One Internal Card Slot, USB Compatible with USB 2.0 Specification, USB Direct Interface on Operator Panel	Ethernet 10/100BaseTX (RJ-45), USB Compatible with USB 2.0 Specification, USB Direct interface on Operator Panel
Microsoft Windows Operating Systems Supported	2000, NT (4.00/4.00 Server), XP, XP x64, Server 2003, Server 2003 running Terminal Services, 2000 Server running Terminal Services, Server 2003 x64, Server 2003 x64 running Terminal Services, Vista, Vista x64	
Apple Macintosh Operating Systems Supported	Apple Mac OS X, Apple Mac OS 9.x	
Other Operating Systems Supported	IBM iSeries or IBM AS/400® Systems with TCP/IP with OS/400® V3R1 or later using OS/400 Host Print Transform or virtually any platform supporting TCP/IP	
General		
Function	Color Printing	Color Printing, Color Copying, Color Scanning, Faxing, Color Network Scanning
Product Warranty	1-Year Onsite Repair	
Product Certifications	Energy Star, CSA, ICES Class A, BSMI Class A, VCCI Class A, FCC Class A, UL 60950-1, IEC 60320-1, CE Class A, CB IEC 60950-1, IEC 60825-1, GS (TÜV), SEMKO, UL AR, CS, TÜV Rh, C-tick mark Class A, CCC Class A	
Size (in. - H x W x D)	24.3 x 23.8 x 18.5	55.5 x 26.75 x 23
Weight (lb.)	118.5	215
Specified Operating Environment	Temperature: 16 to 32°C (60 to 90°F) Humidity: 8 to 80% Relative Humidity Altitude: 0 - 3048 Meters (10,000 Feet)	

¹To add paper handling options to the Lexmark X782e XL the scanner unit must be placed on an adjacent surface, such as a counter or tabletop.

Lexmark C782dn XL



Part #	Model
1020351	Lexmark C782dn XL
Part #	Laser Toner/Print Cartridge
C782U1KG	C782 XL, X782e XL Black XL Extra High Yield Return Program Print Cartridge
C782U2KG	C782 XL, X782e XL Black XL Extra High Yield Print Cartridge
C782U1CG	C782 XL, X782e XL Cyan XL Extra High Yield Return Program Print Cartridge
C782U2CG	C782 XL, X782e XL Cyan XL Extra High Yield Print Cartridge
C782U1MG	C782 XL, X782e XL Magenta XL Extra High Yield Return Program Print Cartridge
C782U2MG	C782 XL, X782e XL Magenta XL Extra High Yield Print Cartridge
C782U1YG	C782 XL, X782e XL Yellow XL Extra High Yield Return Program Print Cartridge
C782U2YG	C782 XL, X782e XL Yellow XL Extra High Yield Print Cartridge
Part #	Paper and Transparencies
12A5950	Glossy Laser Paper, Letter (200)
12A8240	Color Laser Transparencies, Letter (50)
12A8600	Outdoor Media, Letter (100)
12A8940	Banner Laser Paper (50) - 8.27"
Part #	Paper Handling
20B2300	500-Sheet Drawer
20B2373	500-Sheet Tray
20B2700	2,000-Sheet High Capacity Feeder
1023100	Envelope Drawer
20B3340	Outdoor Media Drawer
20B3000	5-Bin Mailbox
20B3050	Output Expander
20B3060	StapleSmart™ Finisher
11K3188	Staple Cartridges
20B5000	Banner Media Tray
Part #	Furniture
16N1708	Printer Stand
21J0055	Scanner Shelf
16C0700	Scanner Stand with Cabinet
Part #	MFP Options
21J0401	Lexmark 4600 MFP Option
21J0421	Lexmark 4600 MFP Option w No Modem

Part #	Memory Options
13N1523	128MB DDR-DRAM
13N1524	256MB DDR-DRAM
13N1526	512MB DDR-DRAM
13N1530	Hard Disk (40+GB)
1021208	32MB Flash Card
1021209	64MB Flash Card
1021243	Japanese Font Card
1021240	Korean Font Card
1021241	Simplified.Chinese Font Card
1021242	Traditional.Chinese Font Card
Part #	Application Solutions
1020400	Bar Code Card
1020401	Card for IPDS/SCS/TNe
1020402	Forms Card
1020403	Lexmark Print/Crypt Card
Part #	Connectivity
1021294	USB Cable (2 meter)
1021092	RS-232C Serial Interface Card
14T0145	N4050e 802.11g Wireless Print Server
14S0165	MarkNet N8050 802.11g Wireless Print Server
14S0200	MarkNet N8020 Gigabit Ethernet
14S0220	MarkNet N8030 Fiber Ethernet 100BaseFX, 10BaseFL
14T0220	MarkNet N7020e Gigabit Ethernet - 4 USB
1021231	Parallel Cable (10 foot)
1021091	Parallel 1284-B Interface Card
21J0069	Scanner Cable (6 meter)
Part #	Extended Warranties
2349404	2-Years Total Onsite Service, Next Business Day
2349405	3-Years Total Onsite Service, Next Business Day
2349406	4-Years Total Onsite Service, Next Business Day
2349408	1-Year Onsite Service Renewal, Next Business Day
Part #	User Replaceable Parts
40X1831	Fuser Kit (110-120V)
40X1826	ITU Kit

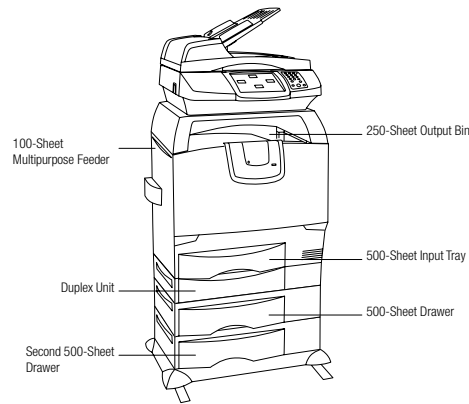
Other models available

Lexmark C782n XL: Network ready, Part #1020320
 Lexmark C782dn XL: Network ready plus duplex with 500-sheet drawer, Part #1020374

In the box

Lexmark C782n XL Color Laser Printer, Duplex Unit, Up to 10,000*-Page Black and Color (CMY) High Yield Return Program Print Cartridges, Software and Documentation CD, Power Cord, Setup Guides (network and local attachment), Statement of Limited Warranty, Lexmark Cartridge Collection Program Information

Lexmark X782e XL



Part #	Model
21J0700	Lexmark X782e XL
Part #	Laser Toner/Print Cartridge
C782U1KG	C782 XL, X782e XL Black XL Extra High Yield Return Program Print Cartridge
C782U2KG	C782 XL, X782e XL Black XL Extra High Yield Print Cartridge
C782U1CG	C782 XL, X782e XL Cyan XL Extra High Yield Return Program Print Cartridge
C782U2CG	C782 XL, X782e XL Cyan XL Extra High Yield Print Cartridge
C782U1MG	C782 XL, X782e XL Magenta XL Extra High Yield Return Program Print Cartridge
C782U2MG	C782 XL, X782e XL Magenta XL Extra High Yield Print Cartridge
C782U1YG	C782 XL, X782e XL Yellow XL Extra High Yield Return Program Print Cartridge
C782U2YG	C782 XL, X782e XL Yellow XL Extra High Yield Print Cartridge
Part #	Paper and Transparencies
12A5950	Glossy Laser Paper, Letter (200)
12A8240	Color Laser Transparencies, Letter (50)
12A8600	Outdoor Media, Letter (100)
12A8940	Banner Laser Paper (50) - 8.27"
Part #	Paper Handling*
20B2300	500-Sheet Drawer
20B2373	500-Sheet Tray
20B2700	2,000-Sheet High Capacity Feeder
1023100	Envelope Drawer
20B3340	Outdoor Media Drawer
20B3000	5-Bin Mailbox
20B3050	Output Expander
20B3060	StapleSmart™ Finisher
11K3188	Staple Cartridges
20B5000	Banner Media Tray

Part #	Memory Options
1021208	32MB Flash Card
1021209	64MB Flash Card
1021243	Japanese Font Card
1021240	Korean Font Card
1021241	Simplified.Chinese Font Card
1021242	Traditional.Chinese Font Card
Part #	Application Solutions
21J0577	Bar Code Card
21J0579	Card for IPDS/SCS/TNe
21J0578	Forms Card
21J0581	Lexmark Print/Crypt Card
14T0370	Common Access Card (CAC) Reader
Part #	Connectivity
1021294	USB Cable (2 meter)
14T0145	N4050e 802.11g Wireless Print Server
14T0220	MarkNet N7020e Gigabit Ethernet - 4 USB
Part #	Extended Warranties
2349416	2-Years Total Onsite Service, Next Business Day
2349417	3-Years Total Onsite Service, Next Business Day
2349418	4-Years Total Onsite Service, Next Business Day
2349420	1-Year Onsite Service Renewal, Next Business Day
Part #	User Replaceable Parts
40X2540	4600 MFP Option Pick Roller
40X2538	4600 MFP Option Separator (Pick) Roll Pad
40X1831	Fuser Kit (110-120V)
40X1826	ITU Kit

■ Paper Handling Optional: Accepts all paper handling options for C782 XL family.*
 ■ Paper Handling Standard

*Requires scanner to be placed adjacent to MFP

In the box

Lexmark C782n XL Color Laser Printer (256MB memory); Lexmark 4600 MFP Option (512MB additional memory); Duplex Unit; Two 500-Sheet Drawers; Up to 10,000*-Page Cyan, Magenta, Yellow and Black Return Program Print Cartridges; Scanner Shelf; Printer Stand; Power Cord; MFP; Printer Software and Documentation CDs; Setup Guides (network and local attachment); Statement of Limited Warranty; Lexmark Cartridge Collection Program Information

Lexmark's guarantee to you

Lexmark's 1-Year Onsite Service, Next Business Day warranty on the Lexmark XL Series provides added peace of mind. Enhanced service offerings may be available by contacting your Lexmark representative or visiting www.lexmark.com. Optimize your printer's performance and investment value by using Original Lexmark Supplies, Parts and Service.



Environmental commitment

Lexmark believes that the environment is a critical component of responsible business management and clearly demonstrates it by implementing the "4R" strategy: Reduce, Recover, Reuse and Recycle. To learn more about these programs please visit www.lexmark.com/recycle.

Cost-saving and environmental features

- Duplex models are Energy Star compliant
- Duplex printing, Print and Hold, multi-up and support of recycled paper help reduce paper consumption
- Power Saver Mode reduces energy consumption
- Extra High Yield Cartridges and Lexmark Cartridge Collection Program help reduce waste

